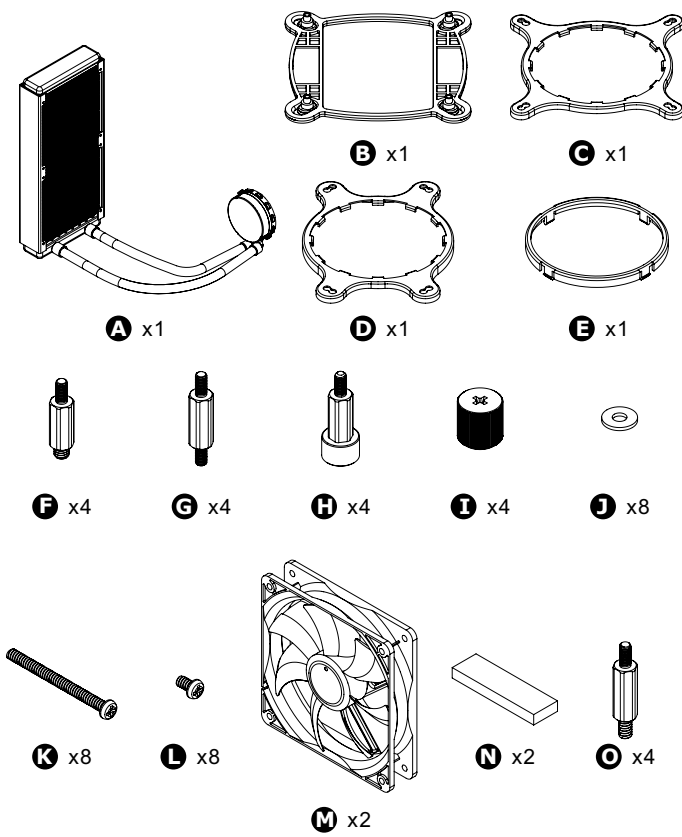
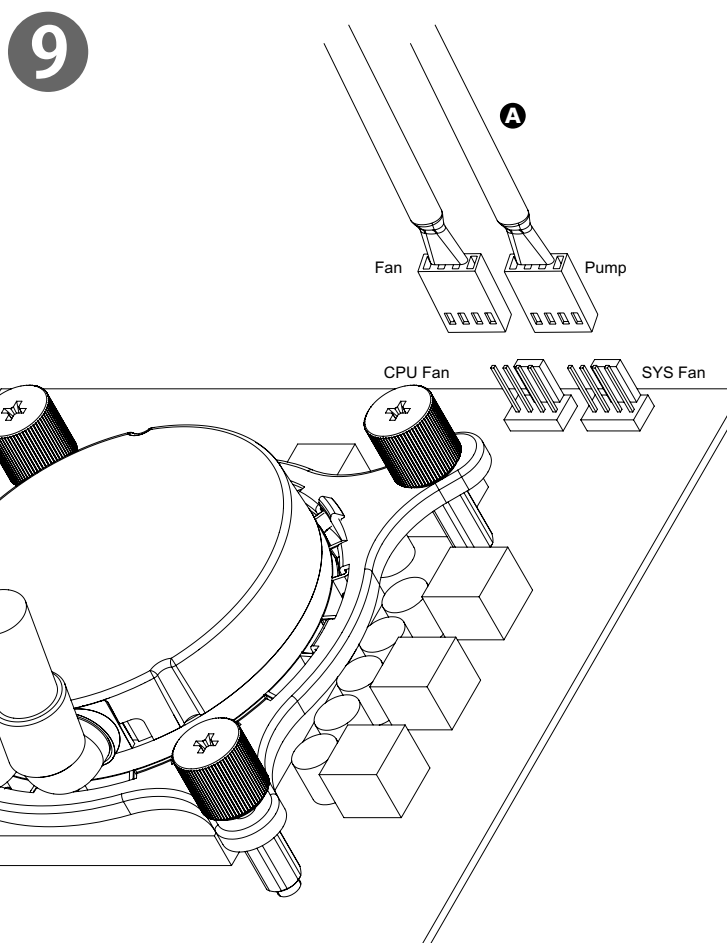
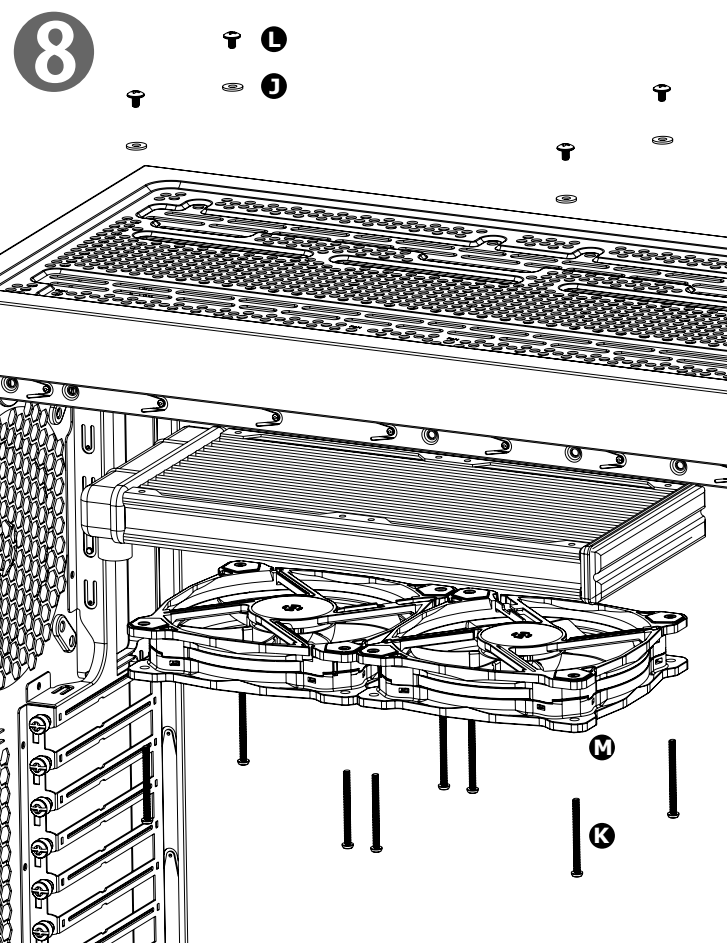
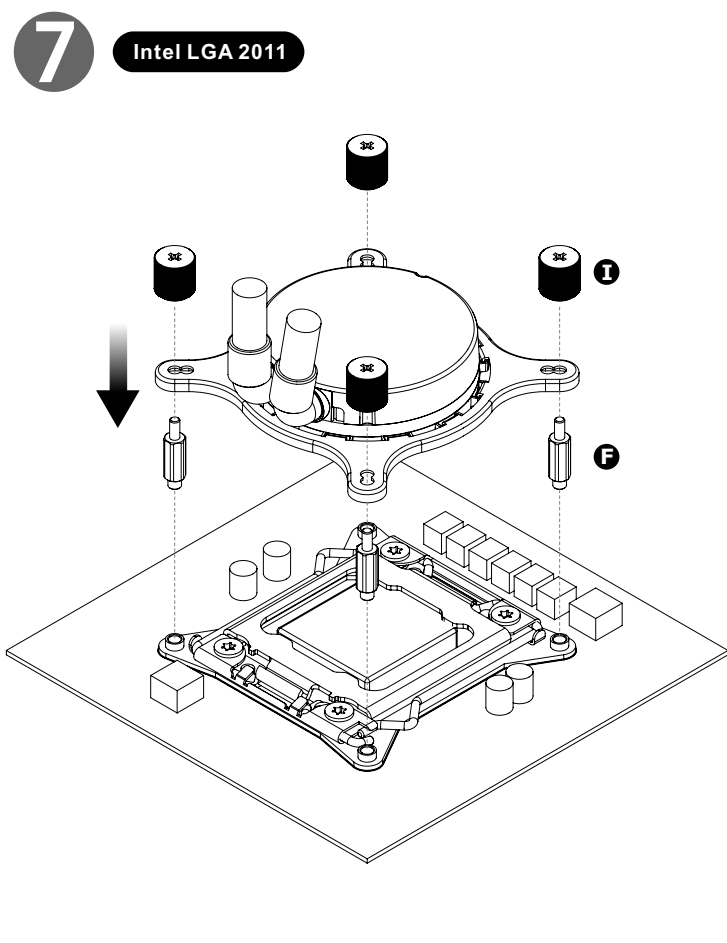
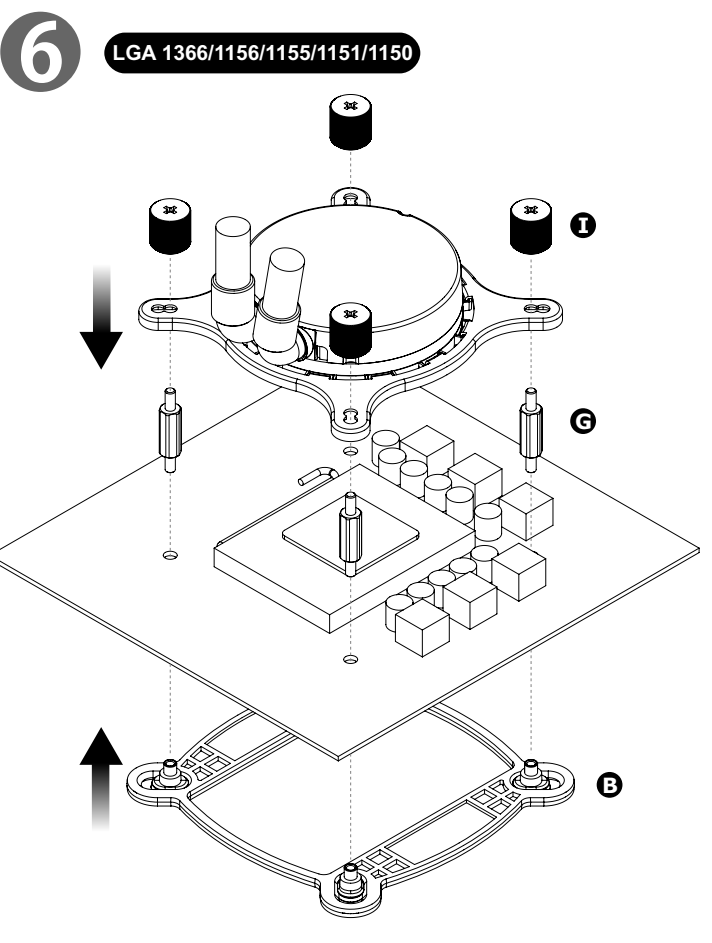
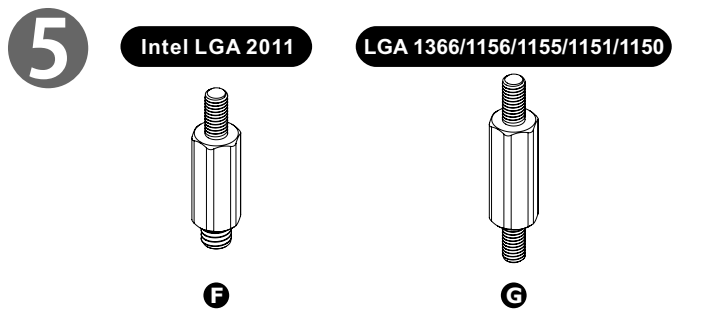
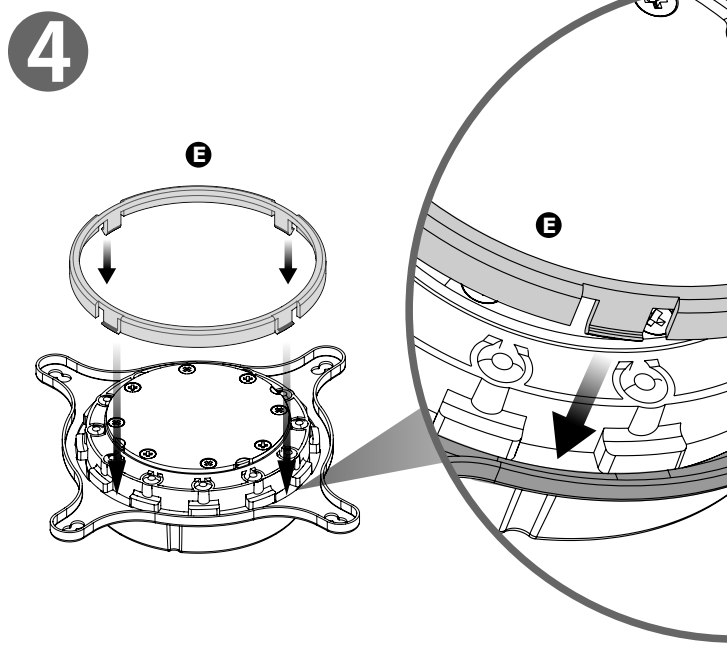
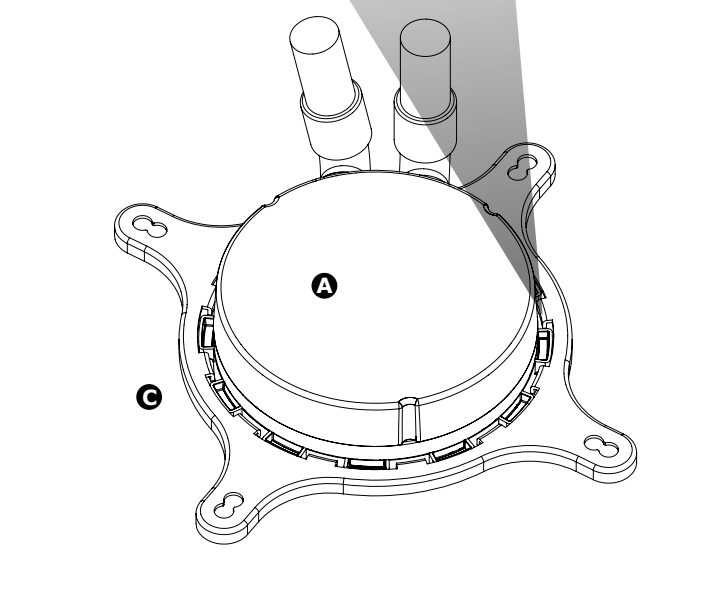
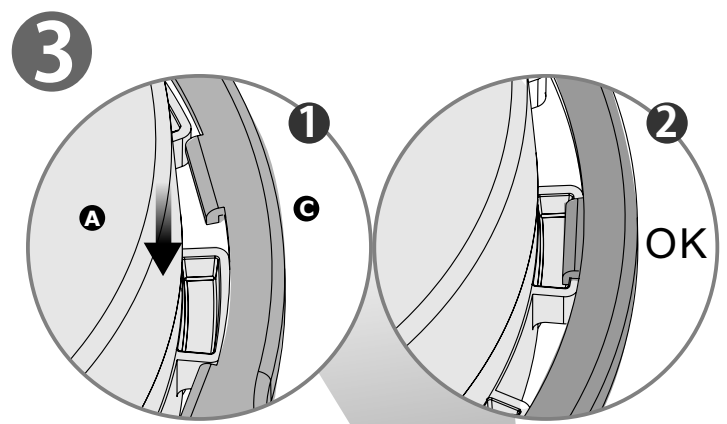
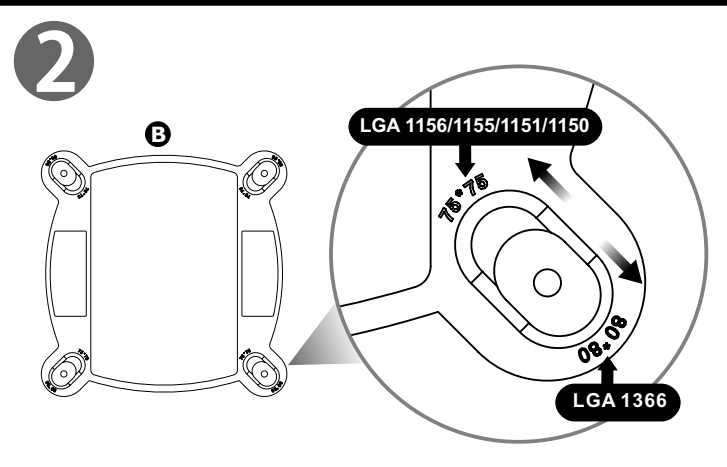
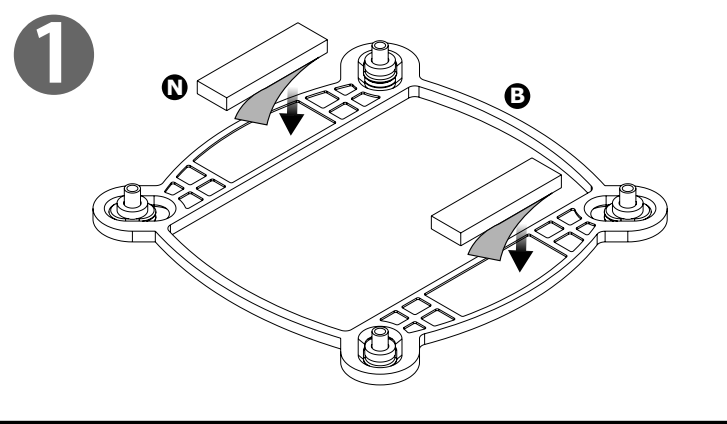


Parts List

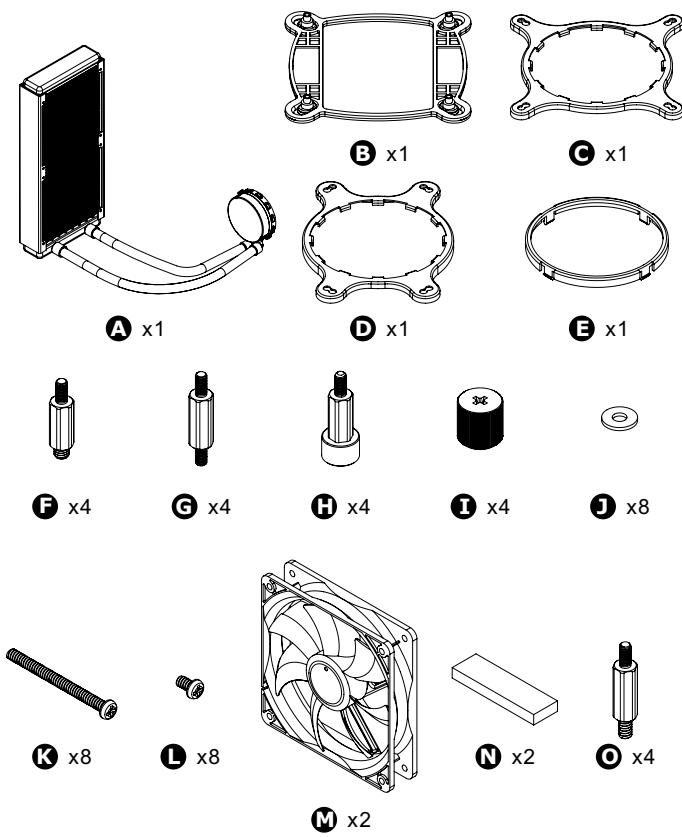


Intel (Socket LGA 1366/1156/1155/1151/1150) Installation

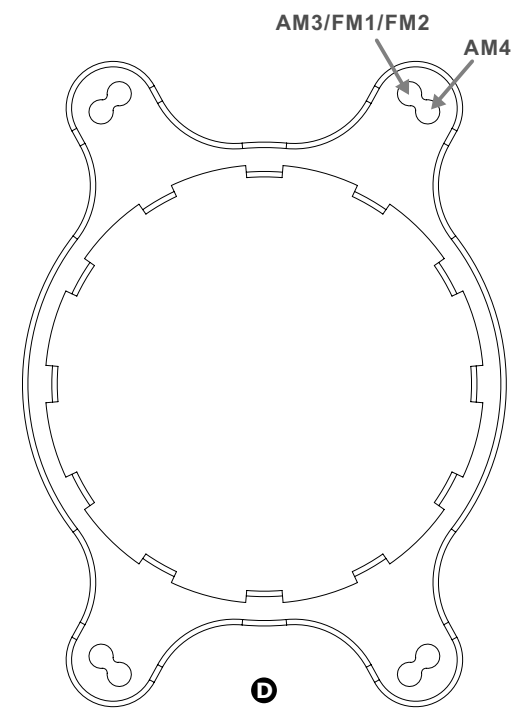
For LGA2011 installation, please skip to the next step



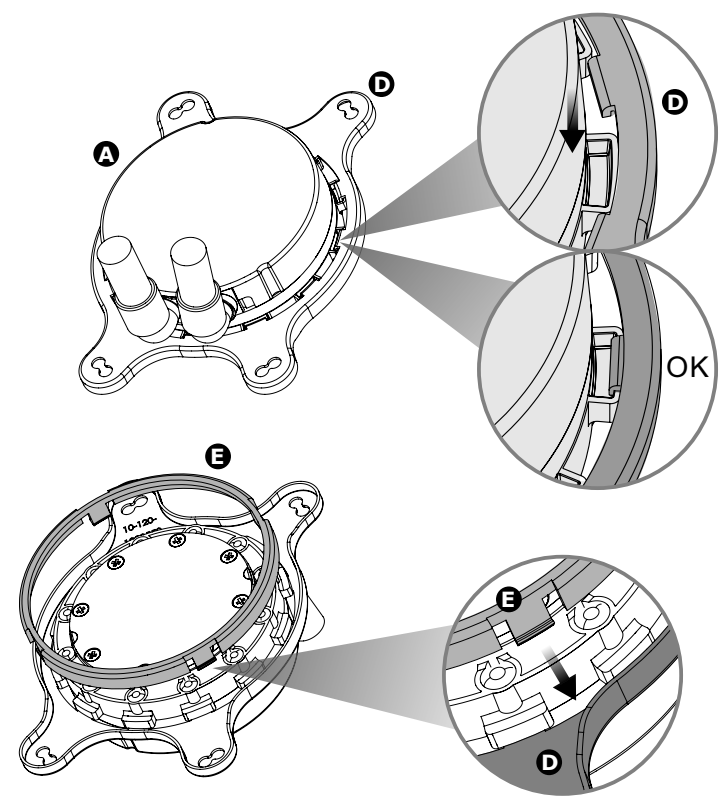
Parts List



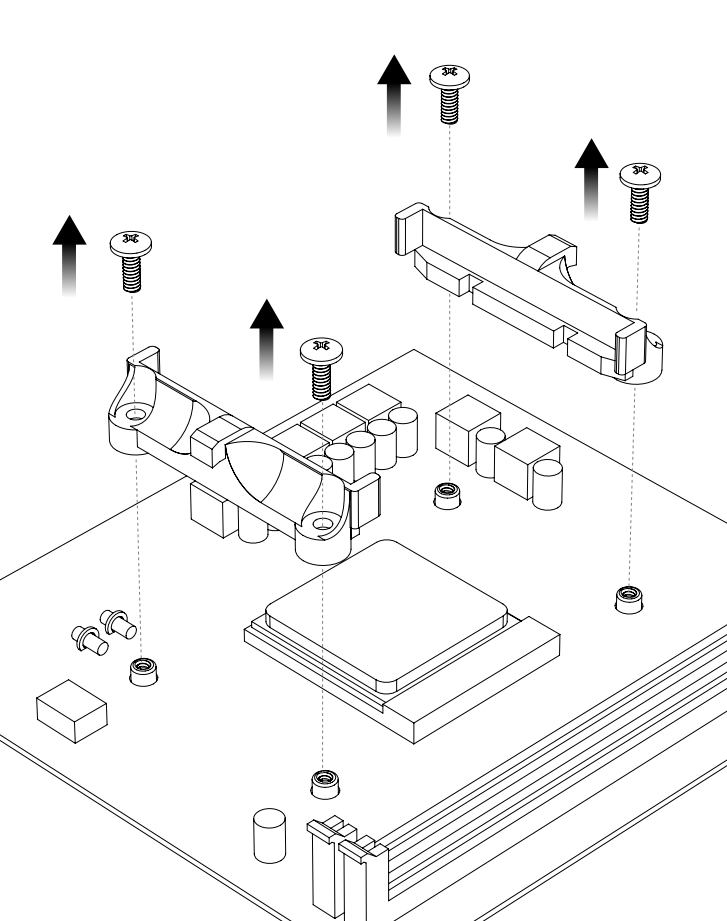
1 Before Installation, please verify the CPU platform and select the appropriate holes for your CPU socket.



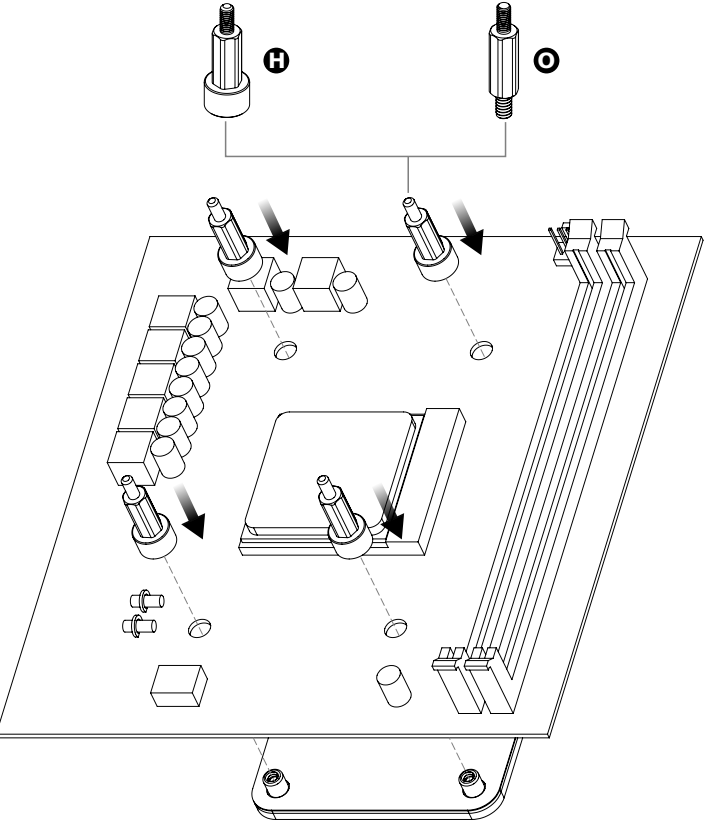
2



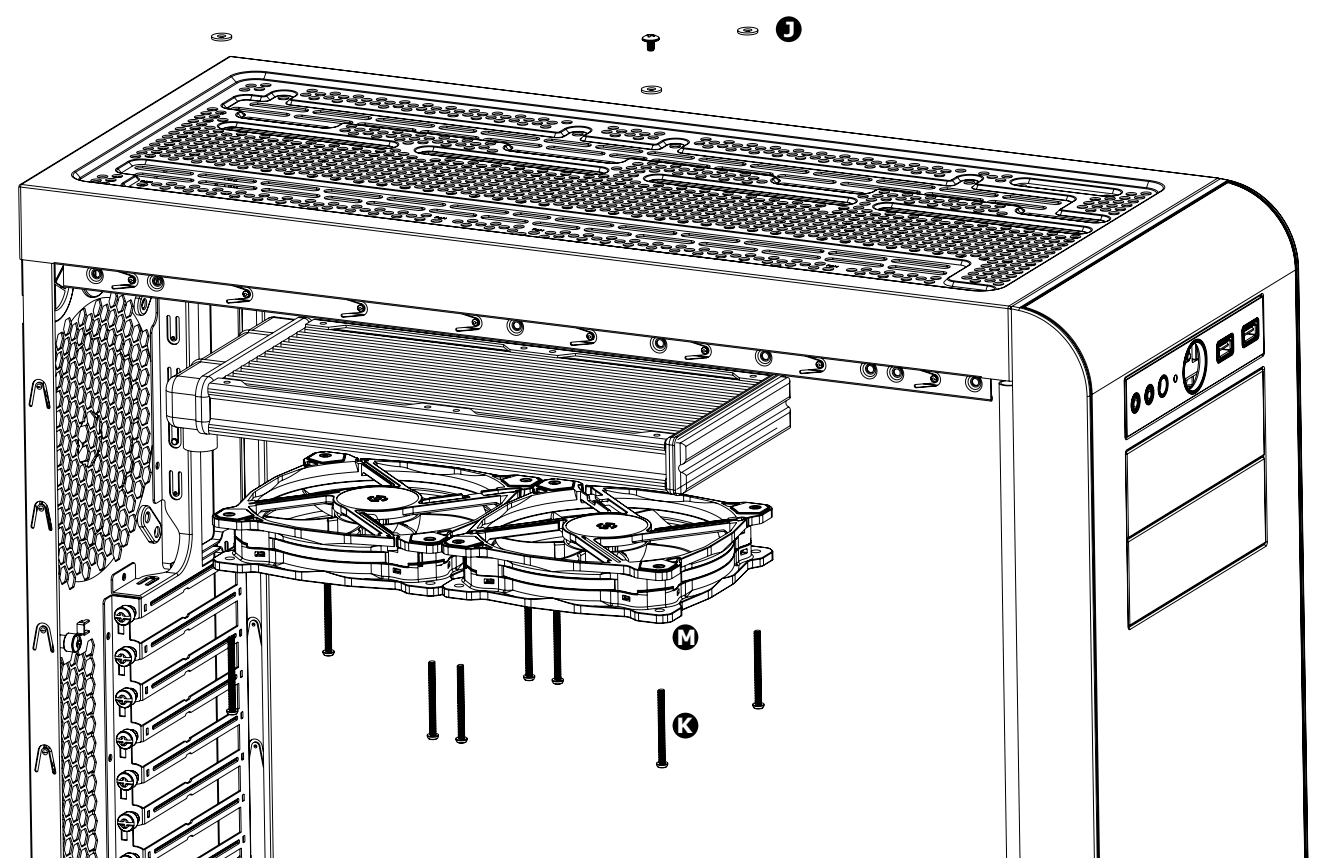
3 Remove the stock AMD top mounting bracket.



4 AM4 FM2/FM1/AM3+/AM3



5



6

